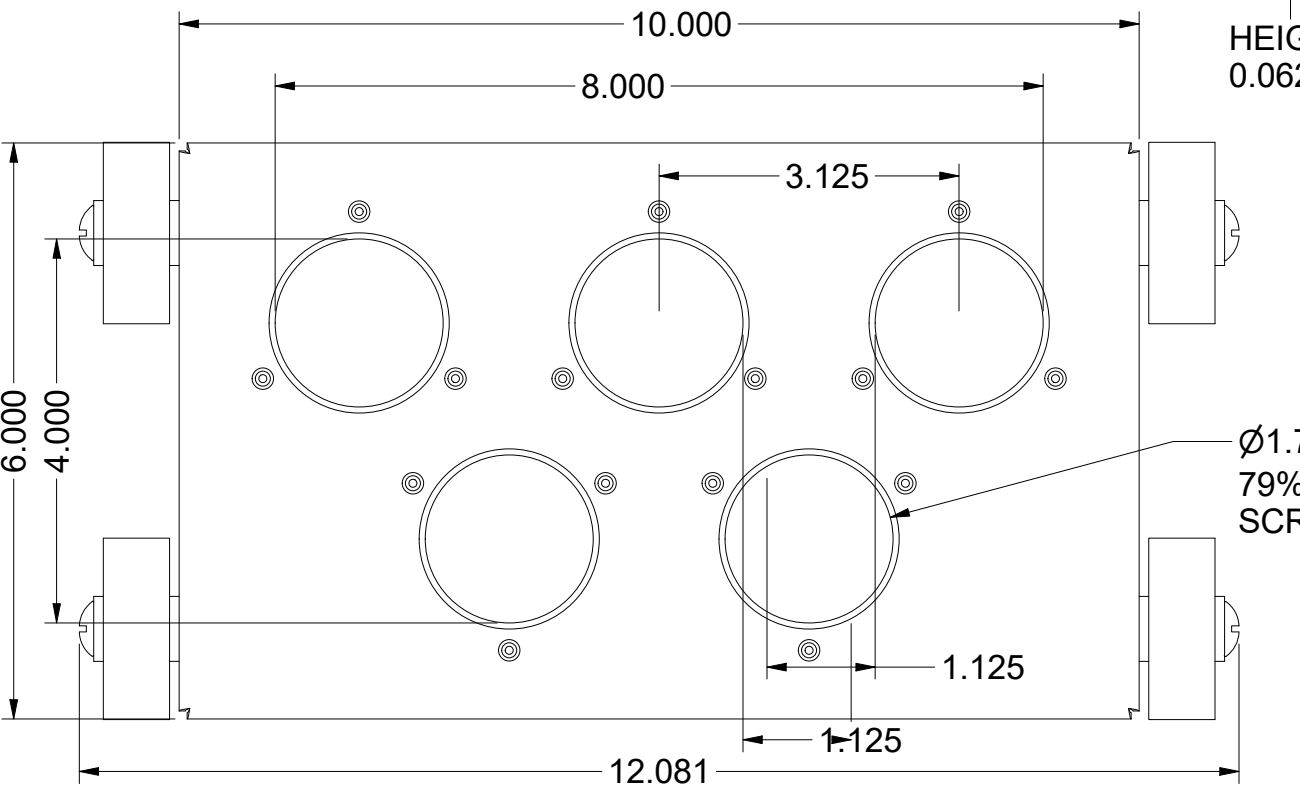
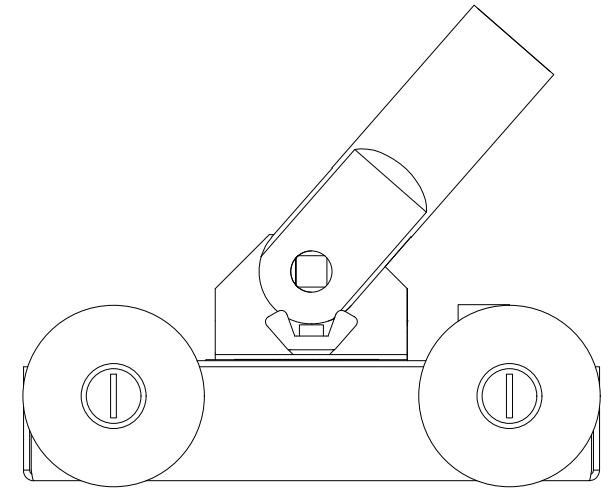
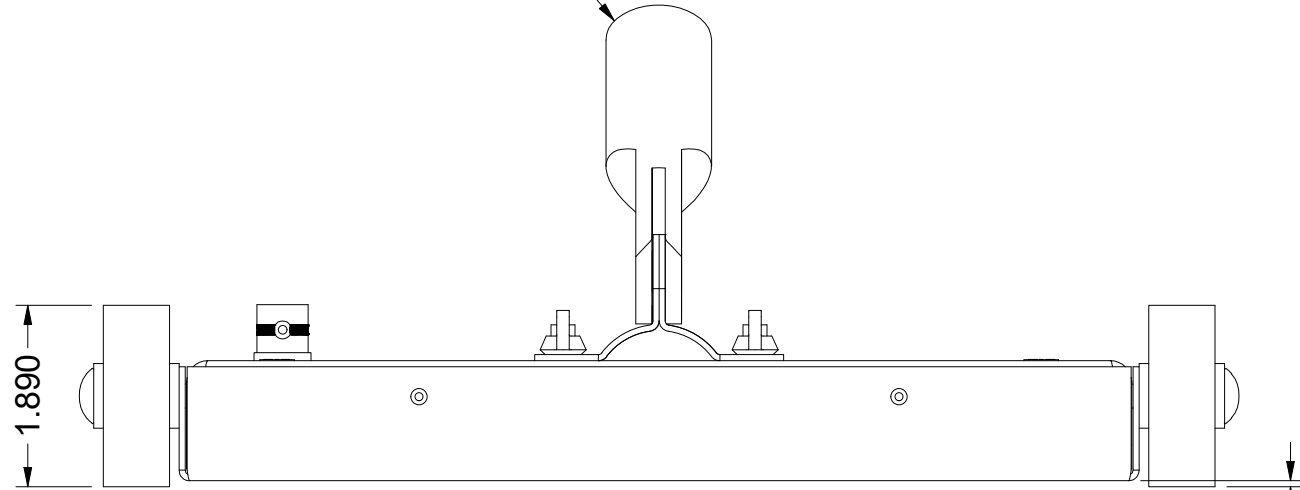
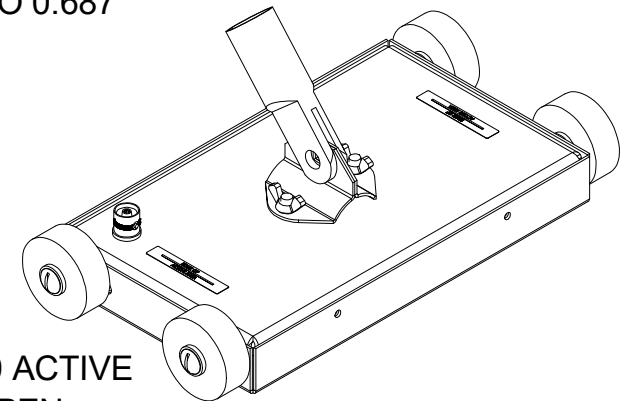


HANDLE ATTACHES HERE
SEVERAL LENGTHS AVAILABLE


REVISION HISTORY			
REV	DESCRIPTION	DATE	BY
1	VALID	5-12-16	JGW



HEIGHT ADJUSTABLE
0.062 TO 0.687



Ø1.750 ACTIVE
79% OPEN
SCREEN

DWN	DATE	CHK	DATE	APP	DATE
JGW	5-12-16				
DWG NUM: 4241-025				SCALE: 1/2	
TITLE M 44-122-3 MULTI PANCAKE DET					
 LUDLUM MEASUREMENTS, INC. 501 OAK STREET SWEETWATER, TEXAS 79556			SERIES 241	SHEET 25	