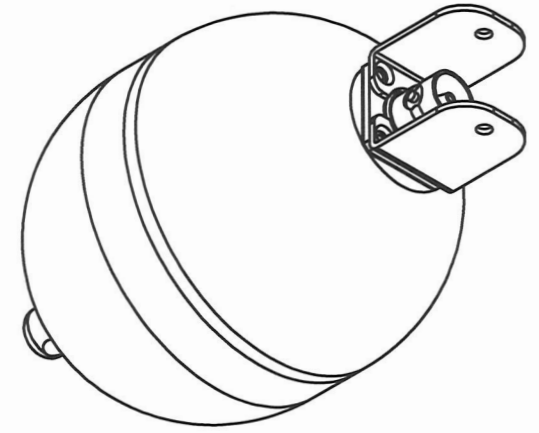
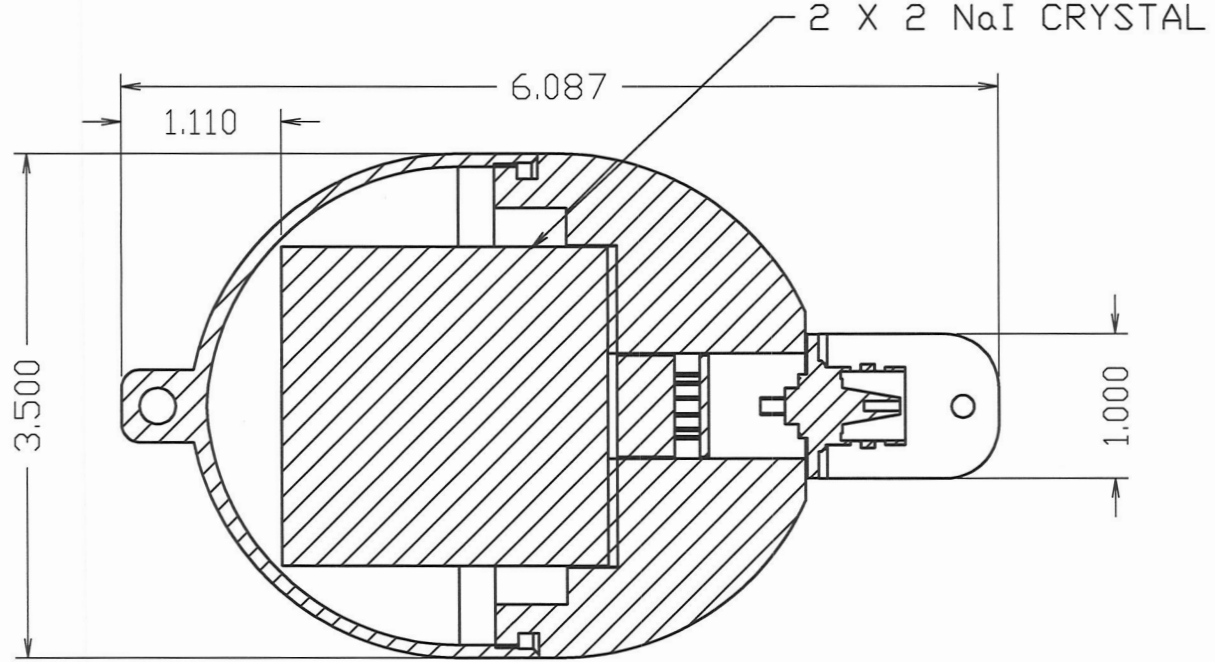
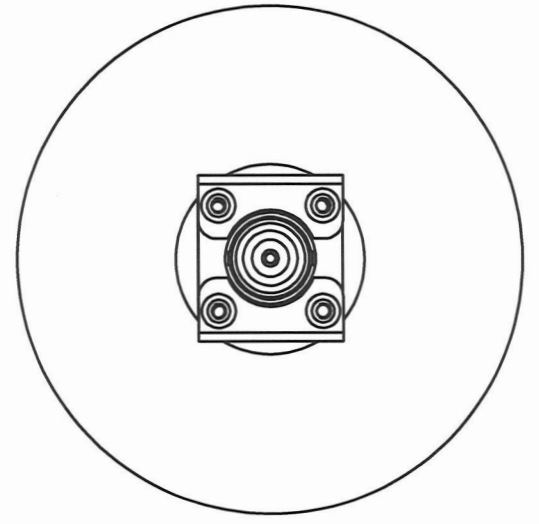
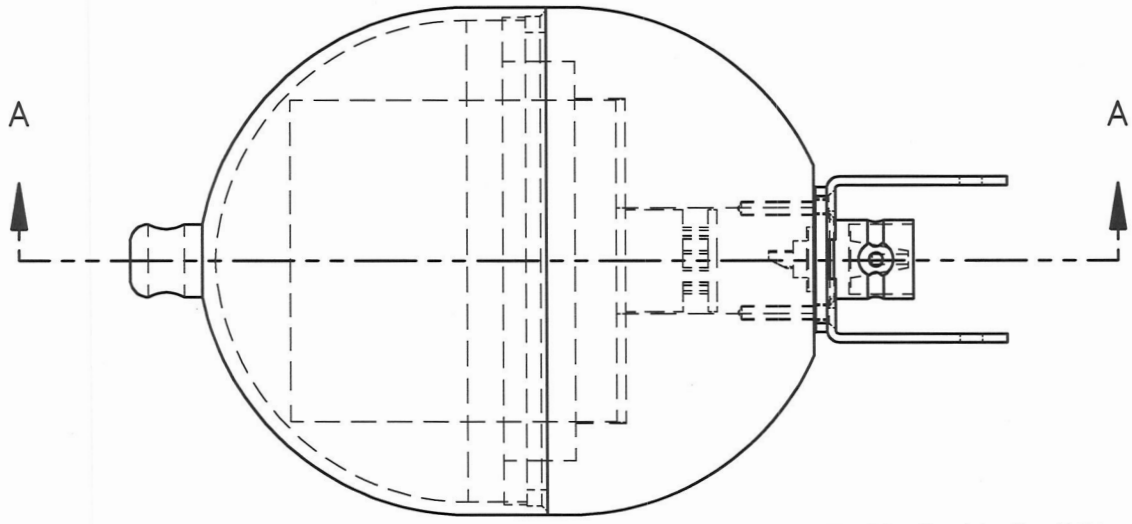


REV #	ALTERATIONS	DATE	BY
1	VALID	11-01-02	TJR



SECTION A-A

DWN	DATE	CHK	DATE	APP	DATE
JGV	4-10-03			JGV	5-23-06
DWG NUM: 4002-767			SCALE: FULL <input type="checkbox"/> OTHER <input checked="" type="checkbox"/> 3/4		
TITLE M 44-157					
LUDLUM MEASUREMENTS, INC. 501 DAK STREET SWEETWATER, TEXAS 79556			SERIES	SHEET	
			2	767	