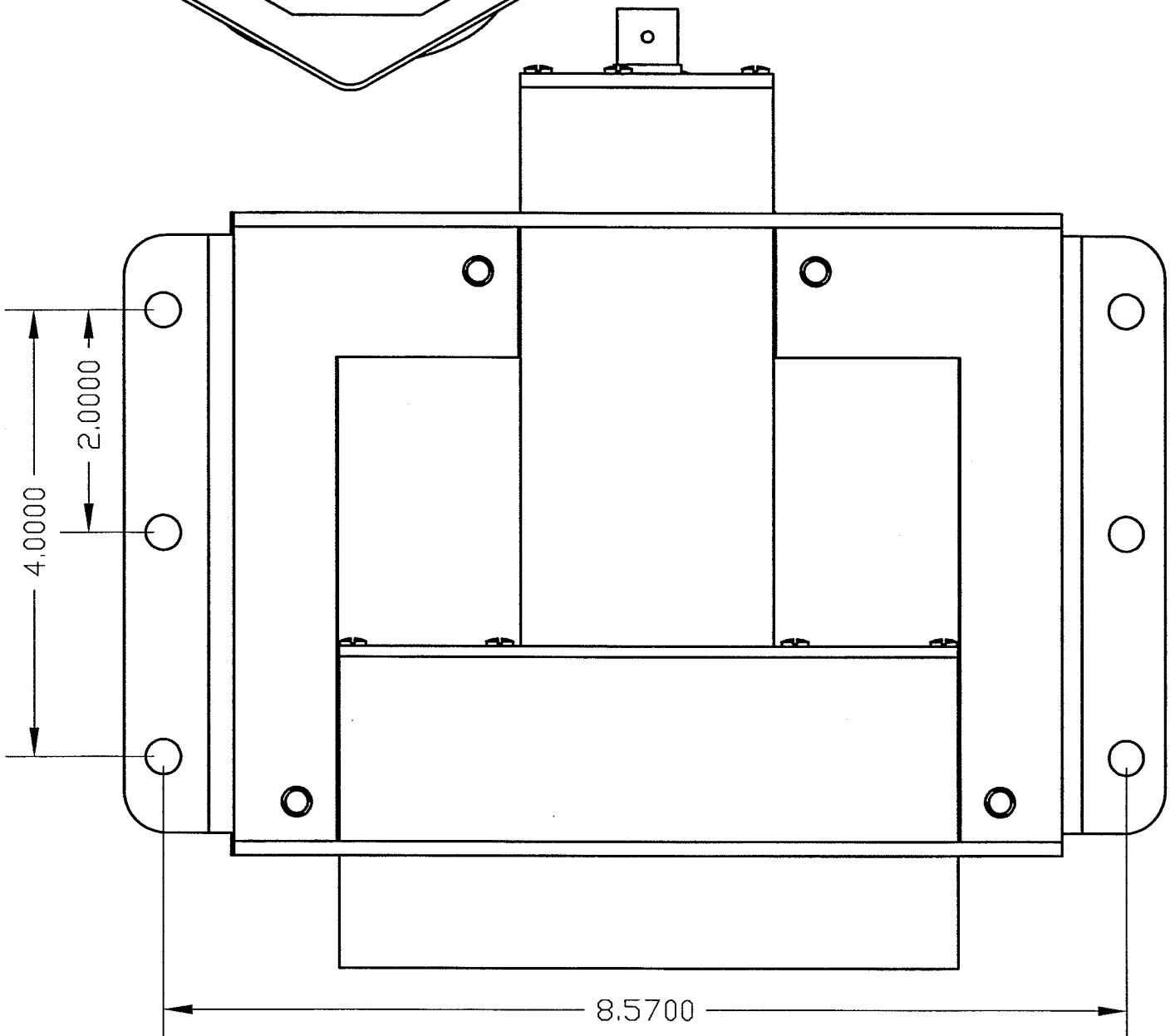
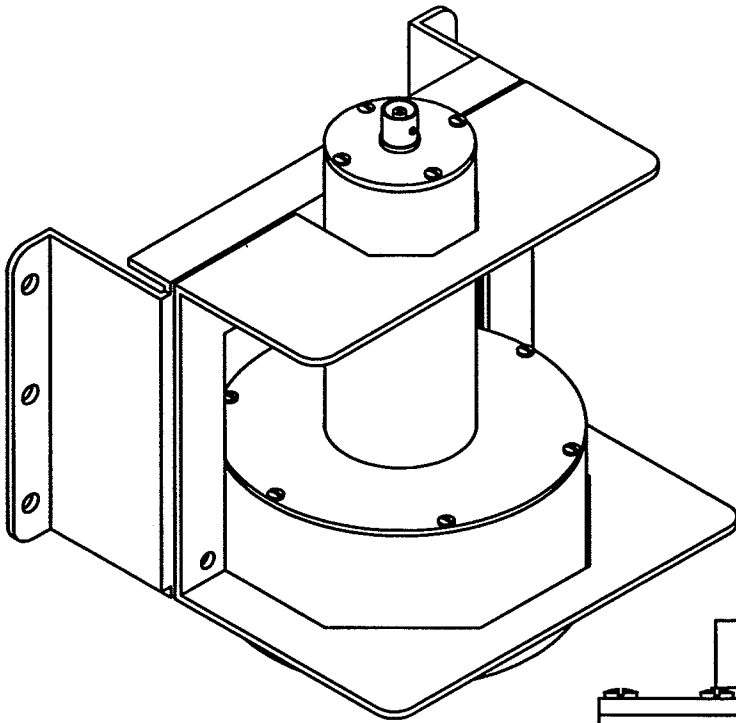

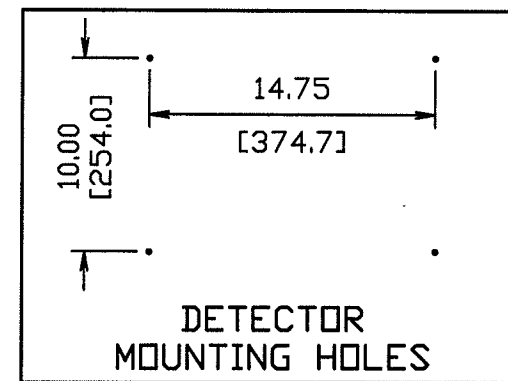
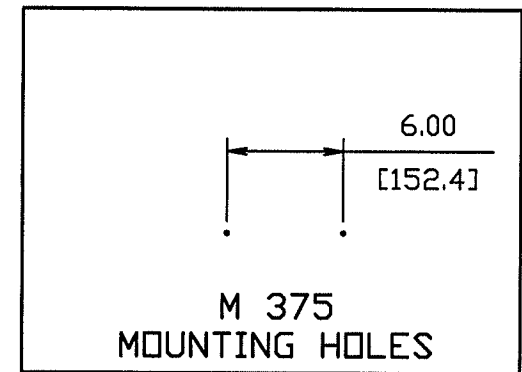
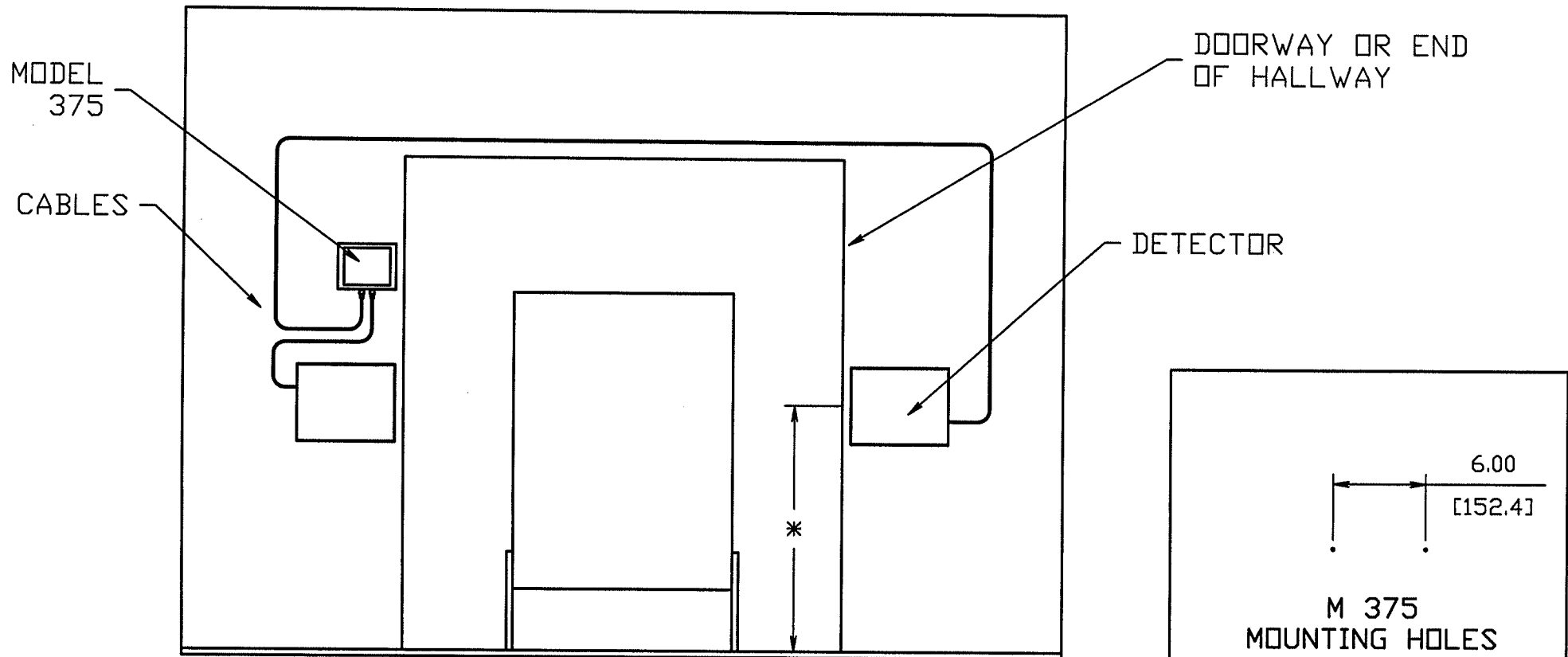


| REV # | ALTERATIONS | DATE | BY |
|-------|-------------|---------|-----|
| | VALID | 5-26-00 | DDW |



| | | | |
|---|---------|-------------|-------------|
| DWN | DATE | CHECKED | APPROVED |
| DDW | 5-26-00 | J6W 5-26-00 | BLH 5-26-00 |
| TITLE: M 375-30/3530 DETECTOR MOUNTING | | | |
|  LUDLUM MEASUREMENTS, INC. 301 OAK STREET SUGGATER, TEXAS 75026 | | SERIES | SHEET |
| | | 385 | 120 |

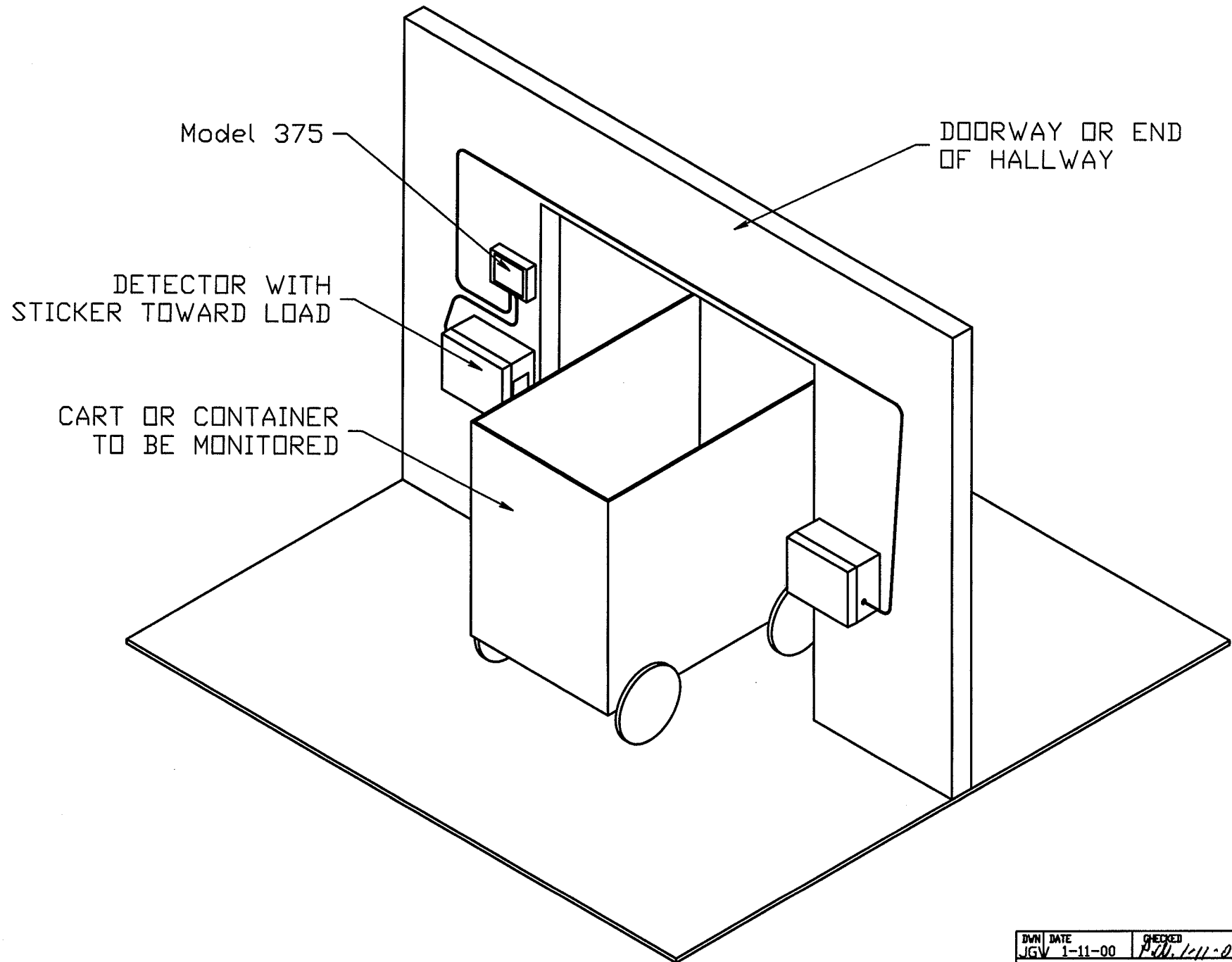
| REV # | ALTERATIONS | DATE | BY |
|-------|-------------|---------|-----|
| 1 | VALID | 1-11-00 | JGV |




* CENTER DETECTOR ON SIDE OF OBJECT BEING MONITORED. IF OBJECT IS EXTREMELY TALL, DETECTORS MAY HAVE TO BE STAGGERED OR MORE THAN 1 SYSTEM MAY BE REQUIRED.

| DWN | DATE | CHECKED | APPROVED |
|--|---------|---------------|---------------|
| JGV | 1-11-00 | P.W. 1-11-00 | JGV 1-11-00 |
| TITLE: M 375-30 INSTALLATION | | | |
| LUDLUM MEASUREMENTS, INC. 501 DAK STREET SWEETWATER, TEXAS 75556 | | SERIES 396 | SHEET 170A |

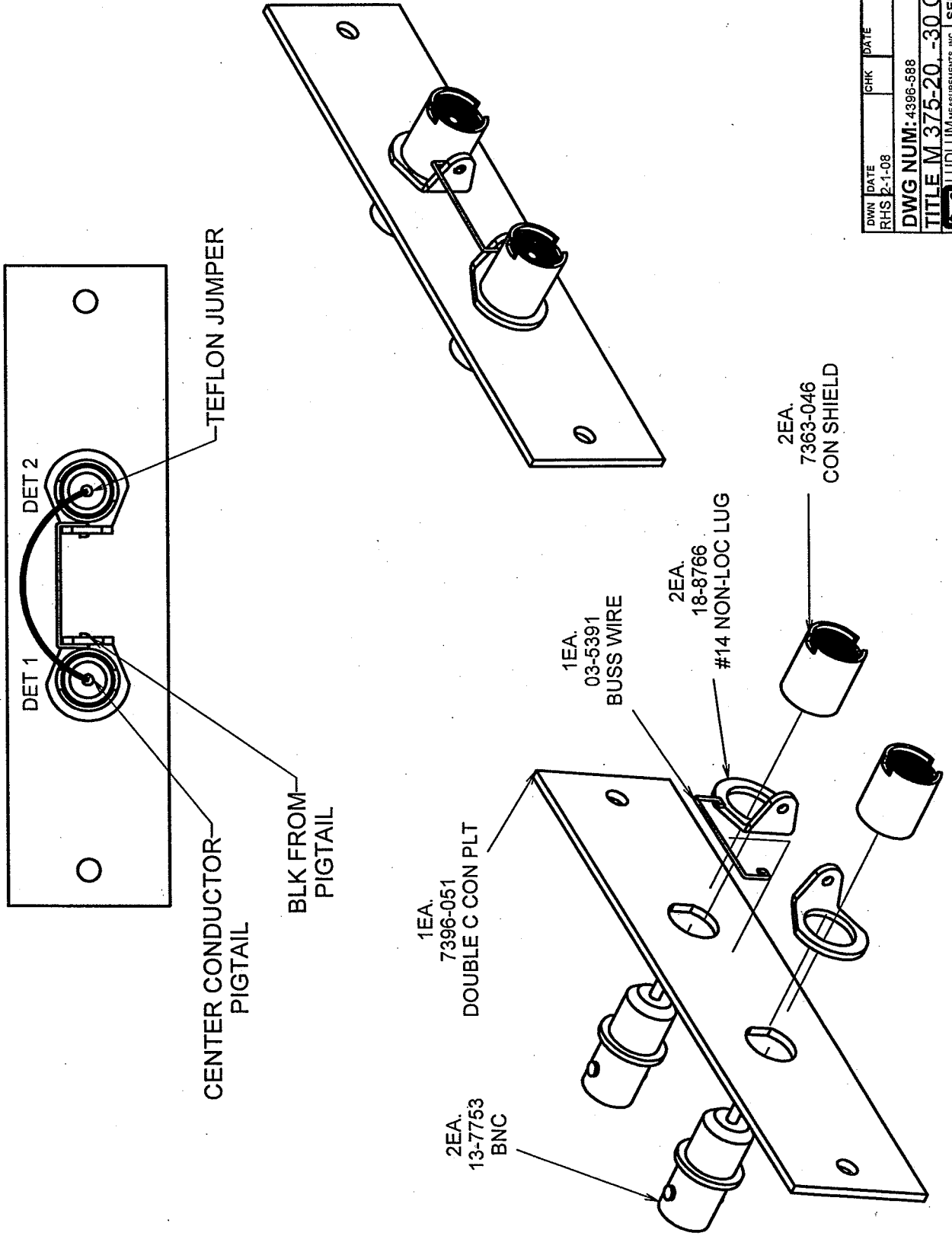
| REV # | ALTERATIONS | DATE | BY |
|-------|-------------|---------|-----|
| 1 | VALID | 1-11-00 | JGW |



| | | | |
|--|---------|--------------------|--------------------|
| DWN | DATE | CHECKED | APPROVED |
| JGW | 1-11-00 | <i>JGW 1-11-00</i> | <i>JGW 1-11-00</i> |
| TITLE: M 375-30 INSTALLATION | | | |
|  LUDLUM MEASUREMENTS, INC. 301 ONE STREET SWEETWATER, TEXAS 75556 | | SERIES 396 | SHEET 170B |

REVISION HISTORY

| REV | DESCRIPTION | BY | DATE |
|-----|-------------|-----|--------|
| 1 | VALID | RHS | 2-1-08 |



| | | | | |
|--------------------------------|-----|------|-------------------------|--------|
| DWN DATE | CHK | DATE | APP | DATE |
| RHS 2-1-08 | | | RHS | 2/5/08 |
| DWG NUM: 4396-588 | | | SCALE: FULL | |
| TITLE M 375-20-30 CON PLT ASSY | | | SHEET 588B | |
| LUDLUM MEASUREMENTS, INC. | | | SERIES 396 | |
| 501 OAK STREET | | | SWEETWATER, TEXAS 75666 | |